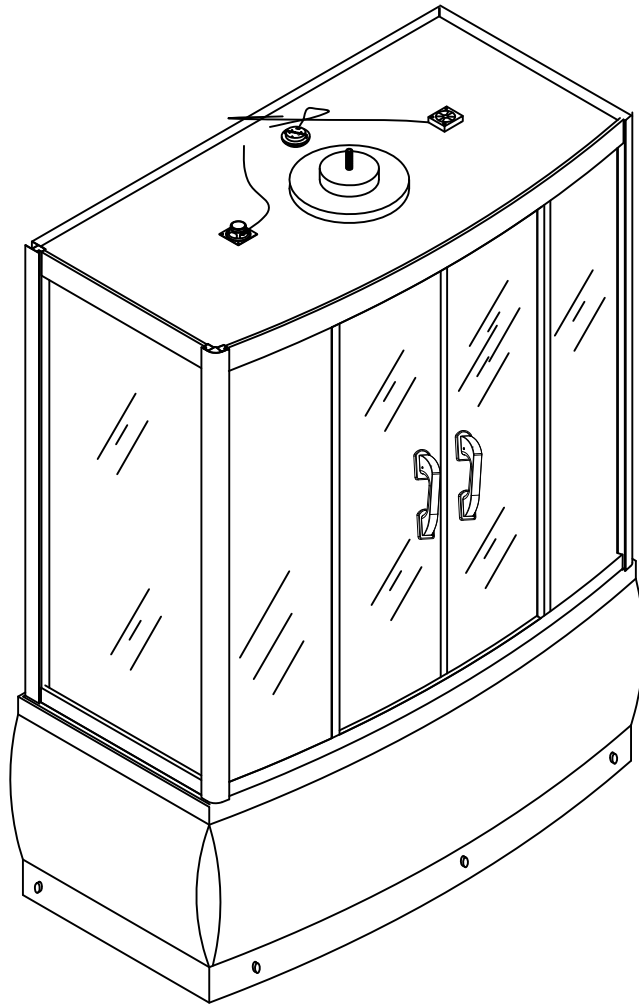
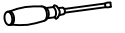


# HTSR-135B/W



A



B



C

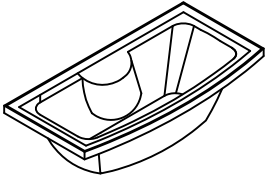


D

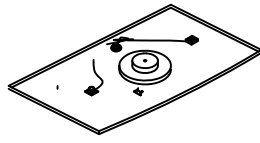


E

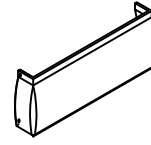
1/5



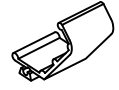
[1]x1



[2]x1



[4]x1



[5]x11



[6]x1



[7]x1



[8]x1



(M12)

[9]x40



(M12)

[10]x12



[11]x6



[12]x6



[13]x8



480mm

[14]x5



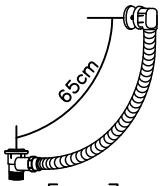
120mm

[15]x1

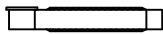


150mm

[16]x2



[17]x1



[18]x1



(ST3.5\*35)

[19]x8



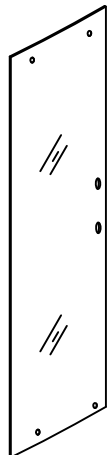
(ST3.5\*16)

[20]x6

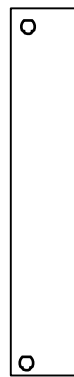
2/5



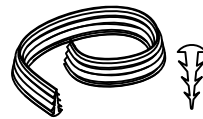
[21]x2



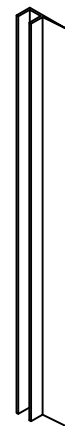
[22]x2



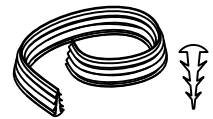
[23]x2



[24]x2

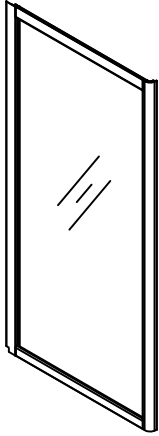


[25]x2

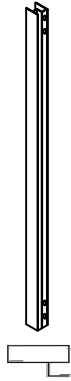


[26]x2

3/5

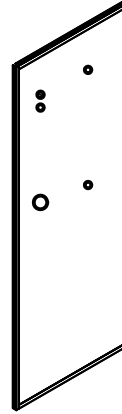


[27]x2

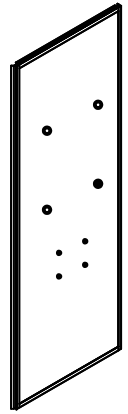


[28]x2

4/5

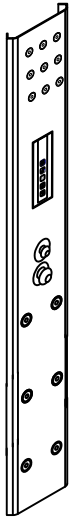


[29]x1



[31]x1

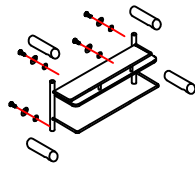
5/5



[32]x1



[33]x2



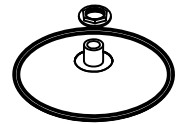
[38]x1



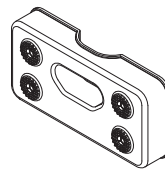
[35]x1



[36]x1



[37]x1



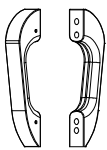
[39]x1



[40]x2



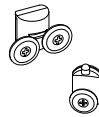
[41]x2



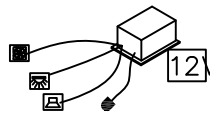
[42]x2



[43]x2



[44]x8



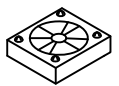
[45]x1



[46]x1



[47]x1



[48]x1



[49]x8



(ST4\*35)

[50]x2



(ST4\*10)

[51]x34



(ST4\*16)

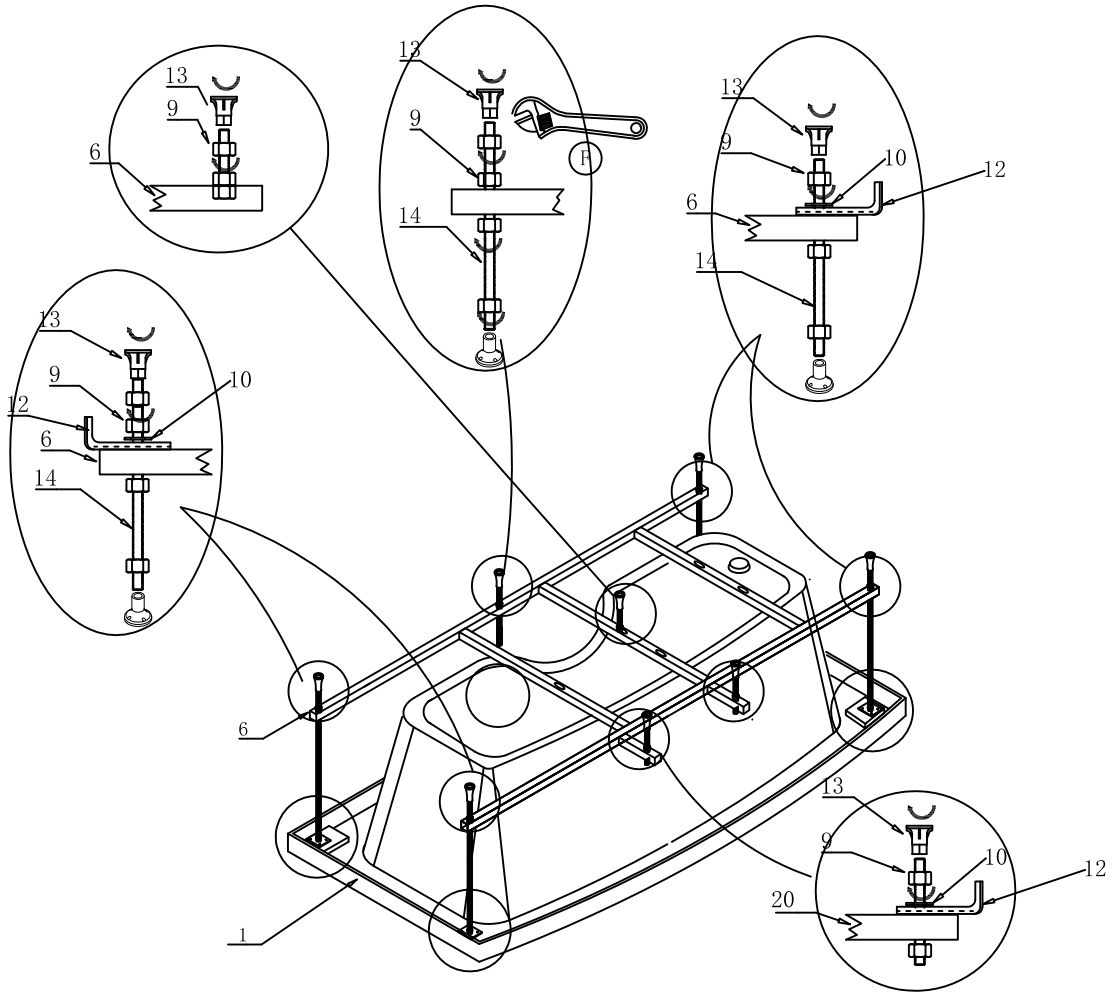
[52]x8



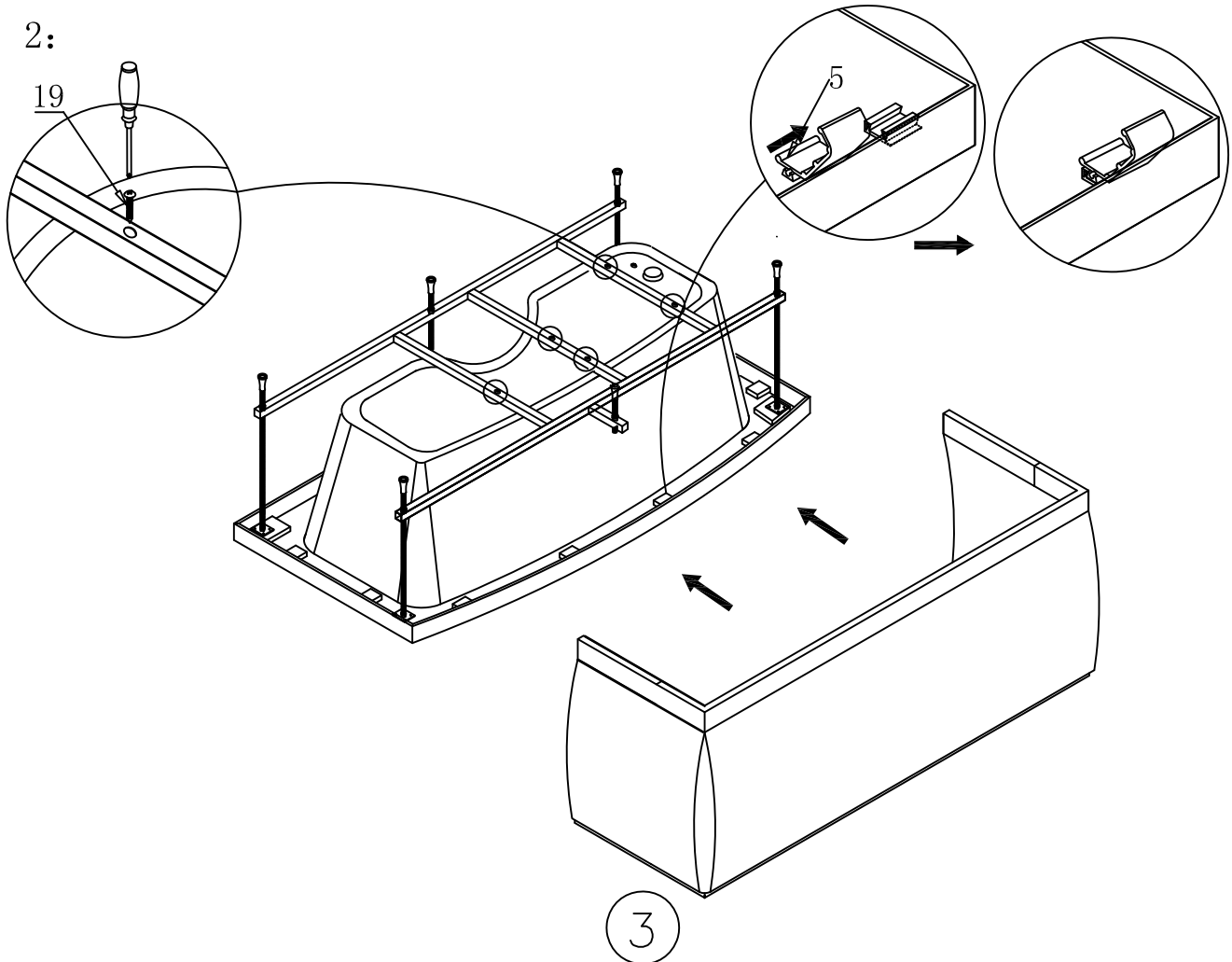
(ST4\*12)

[53]x24

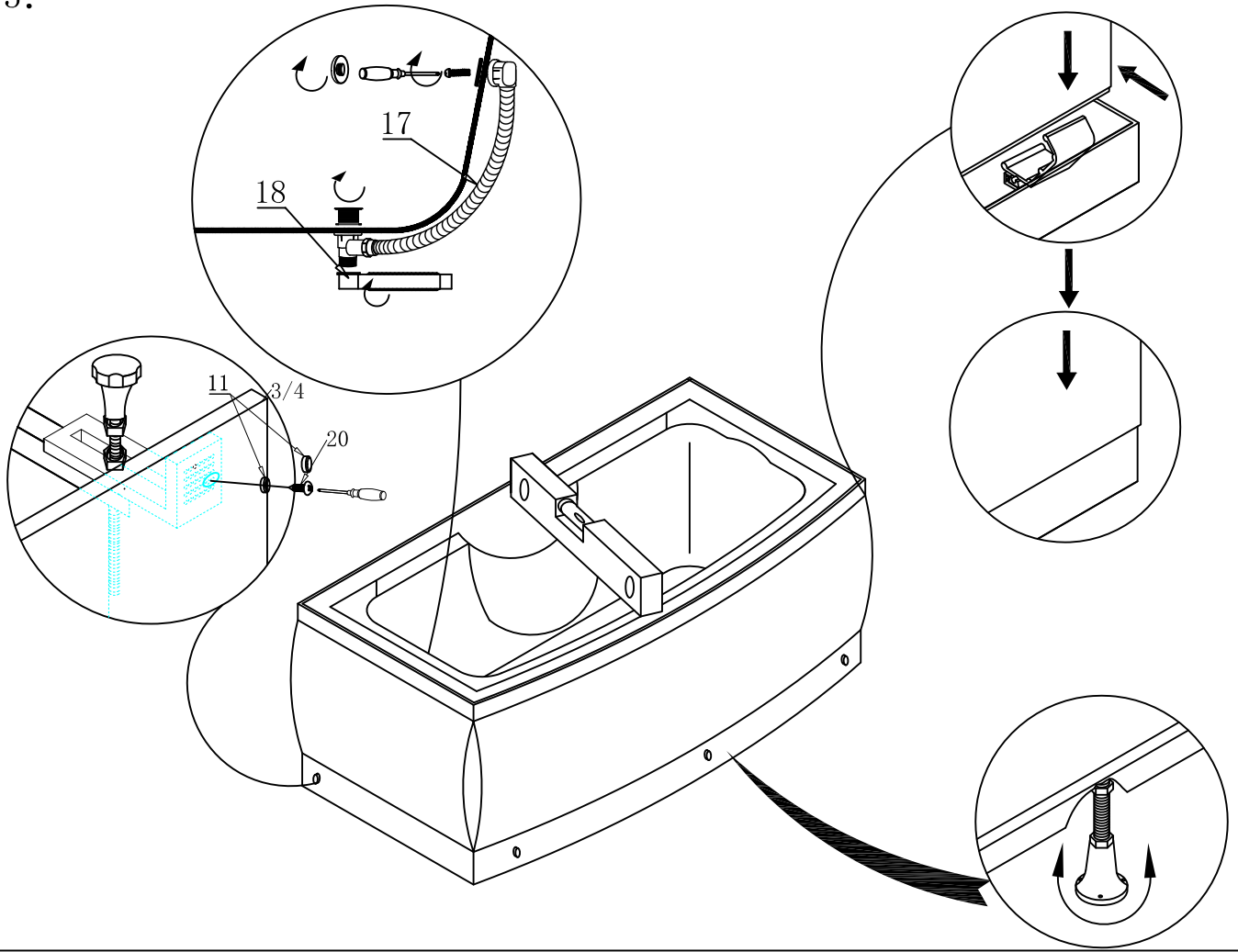
1:



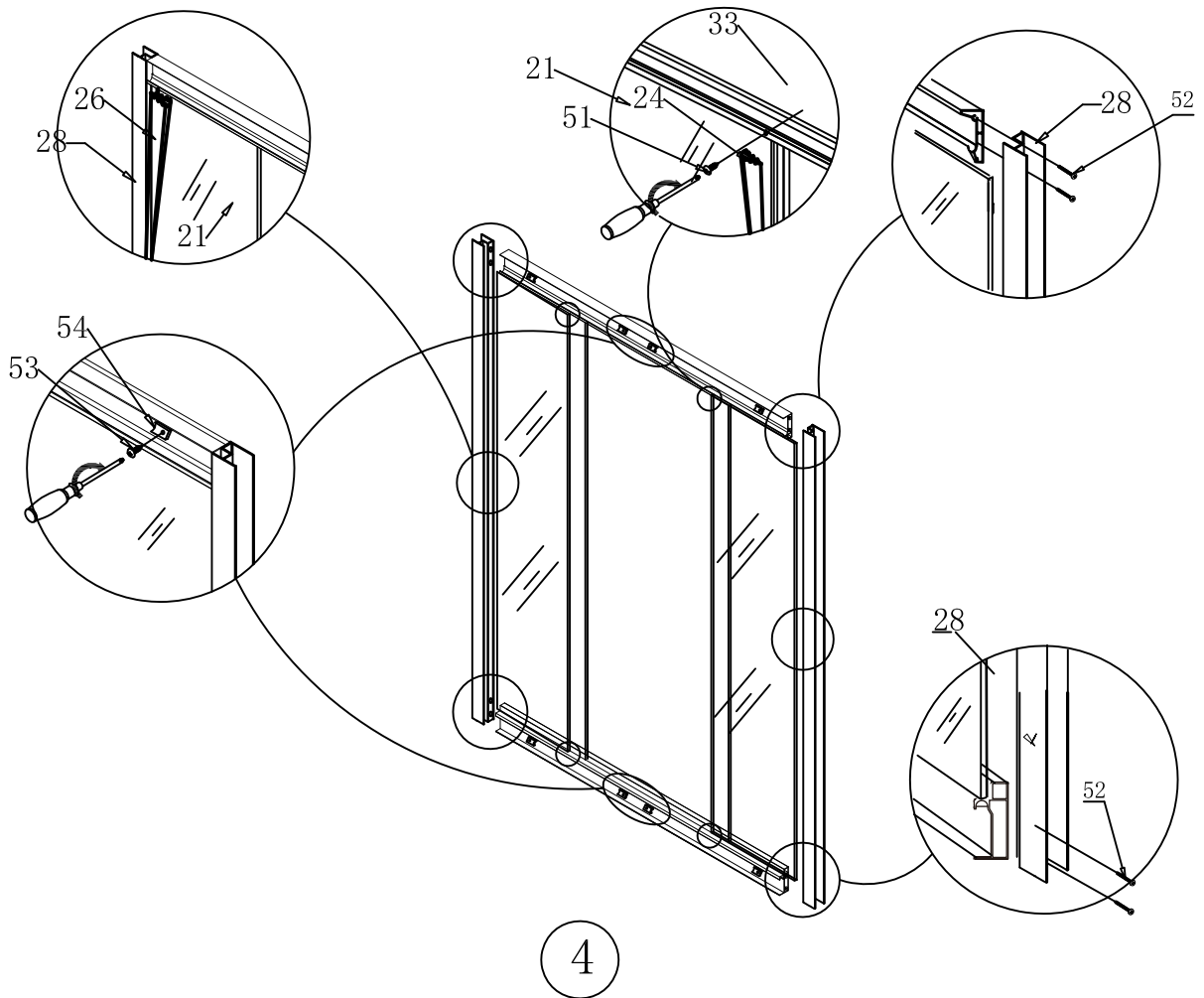
2:



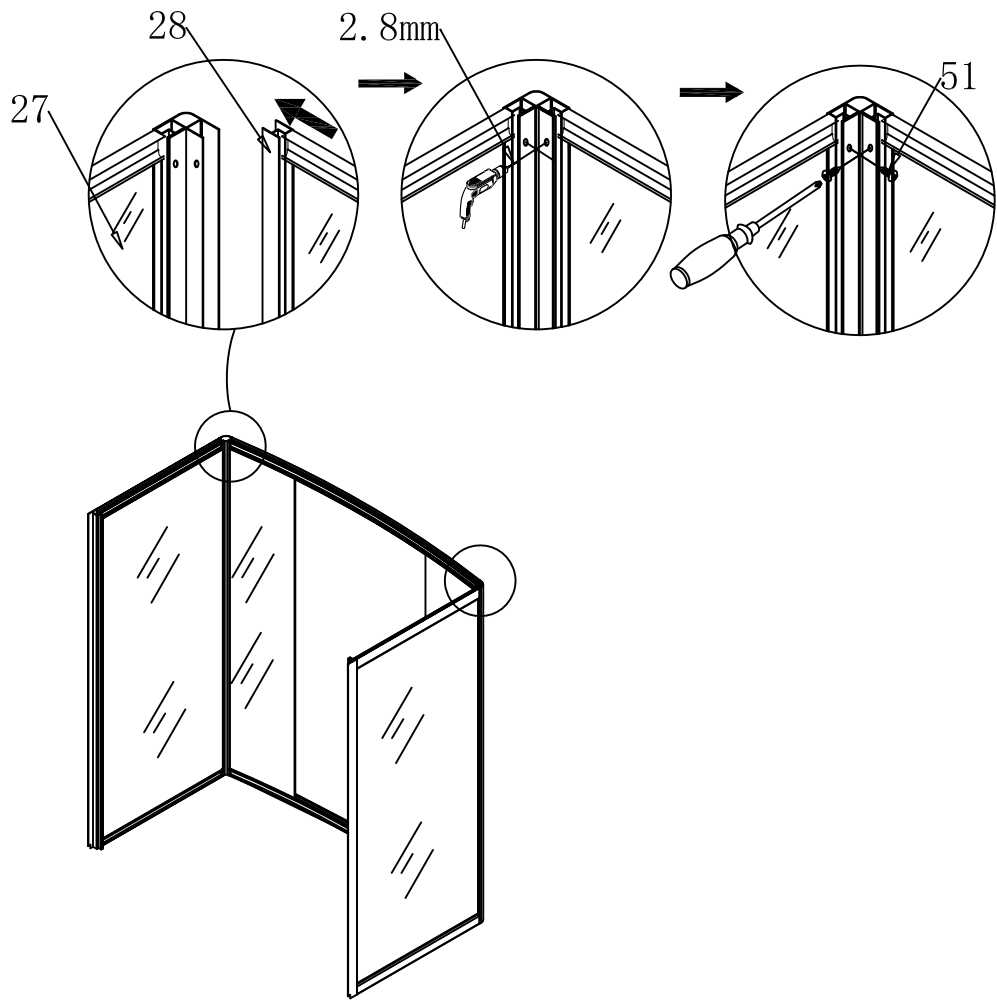
3:



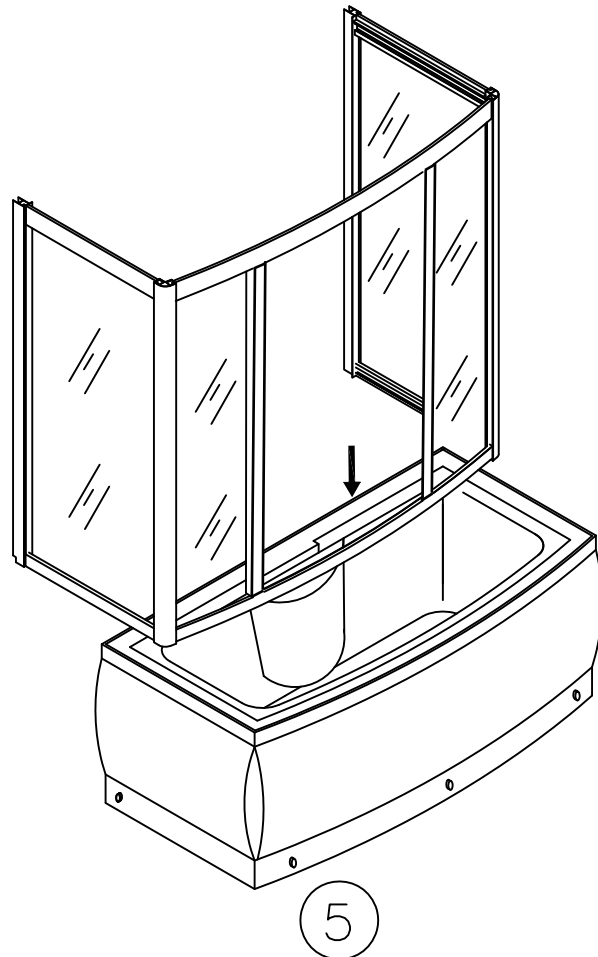
4:



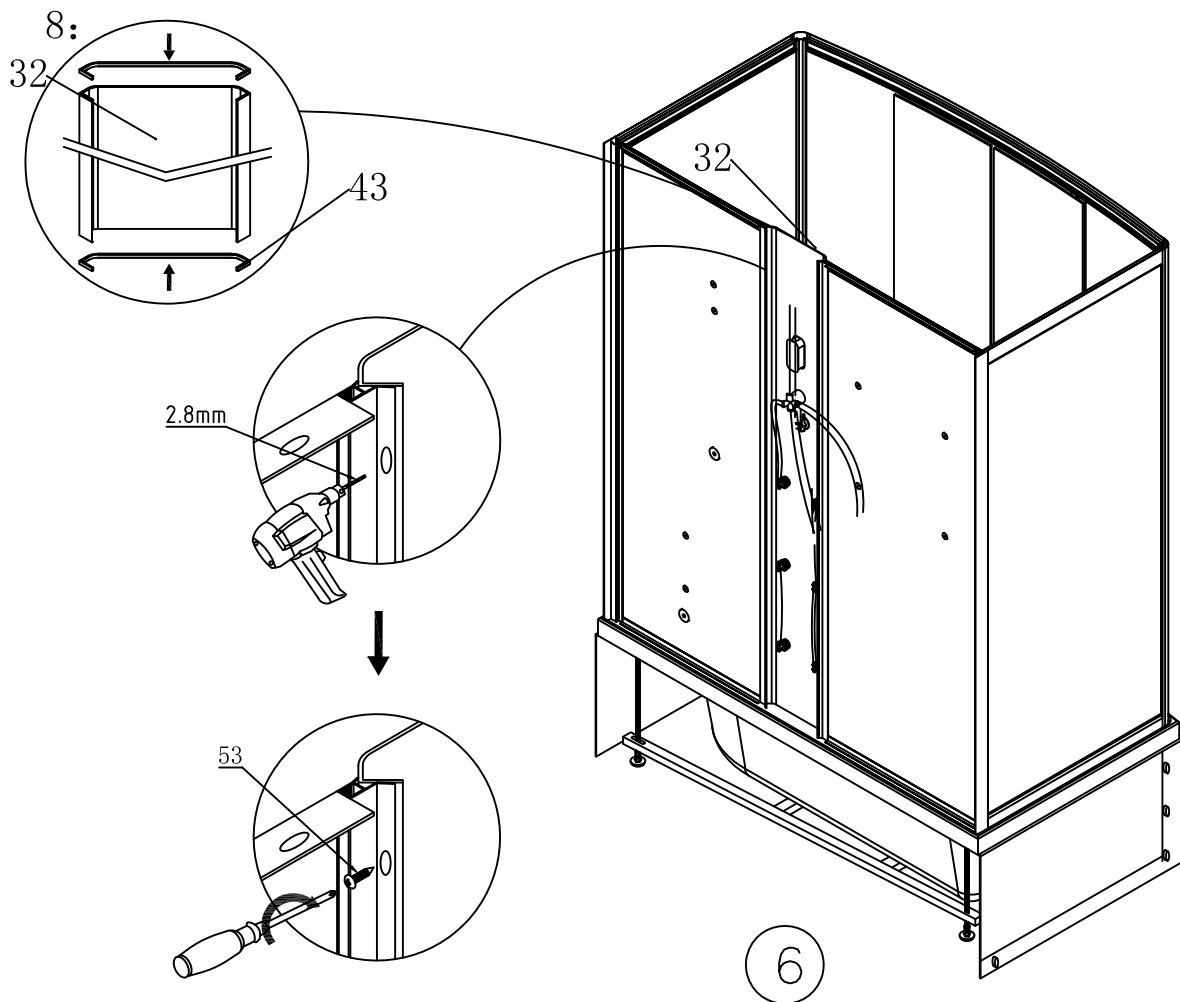
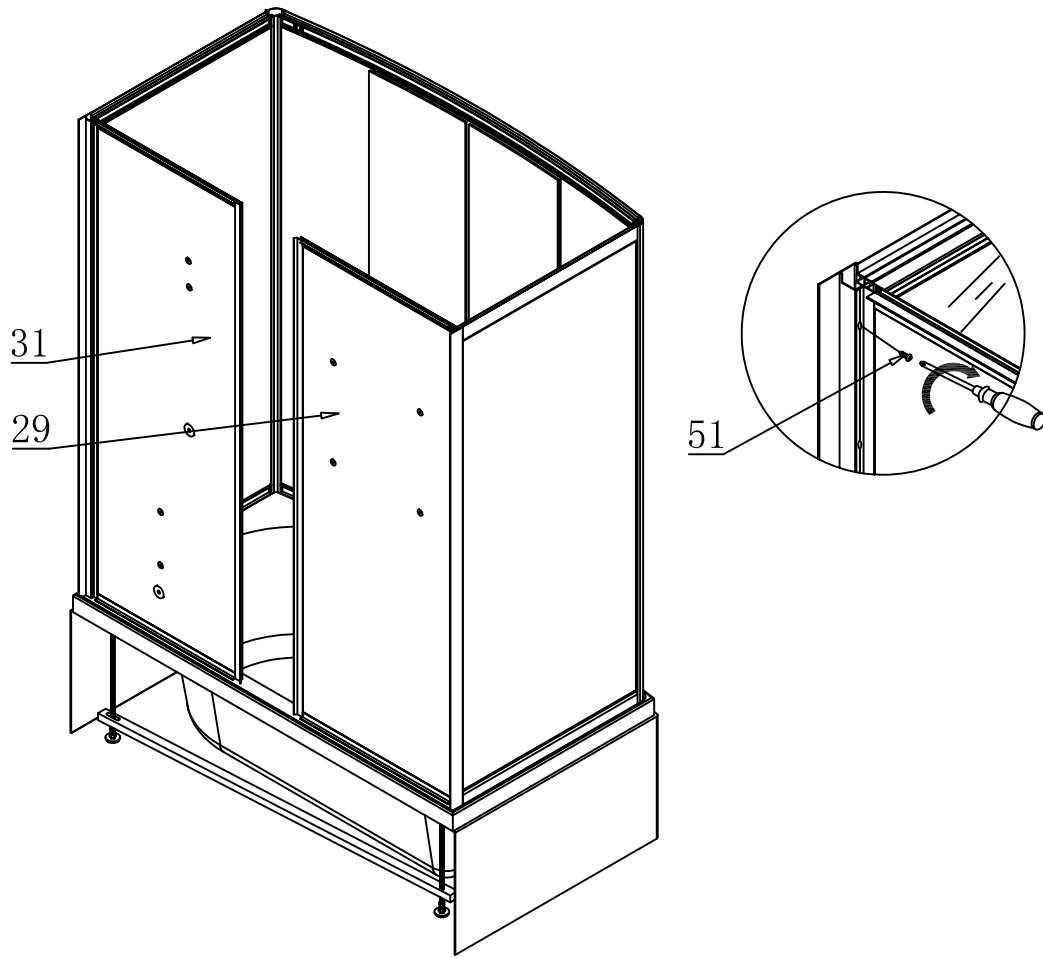
5:



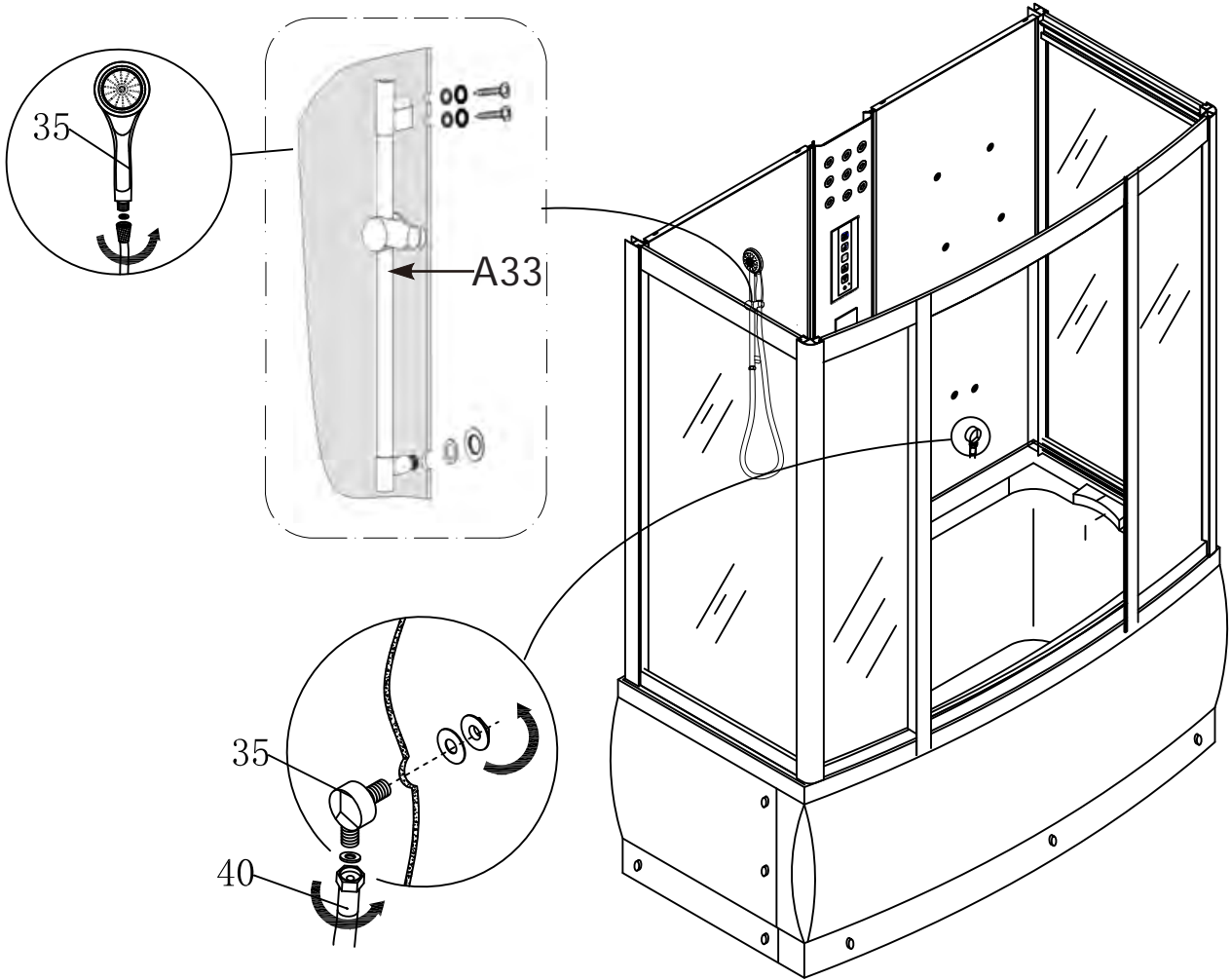
6:



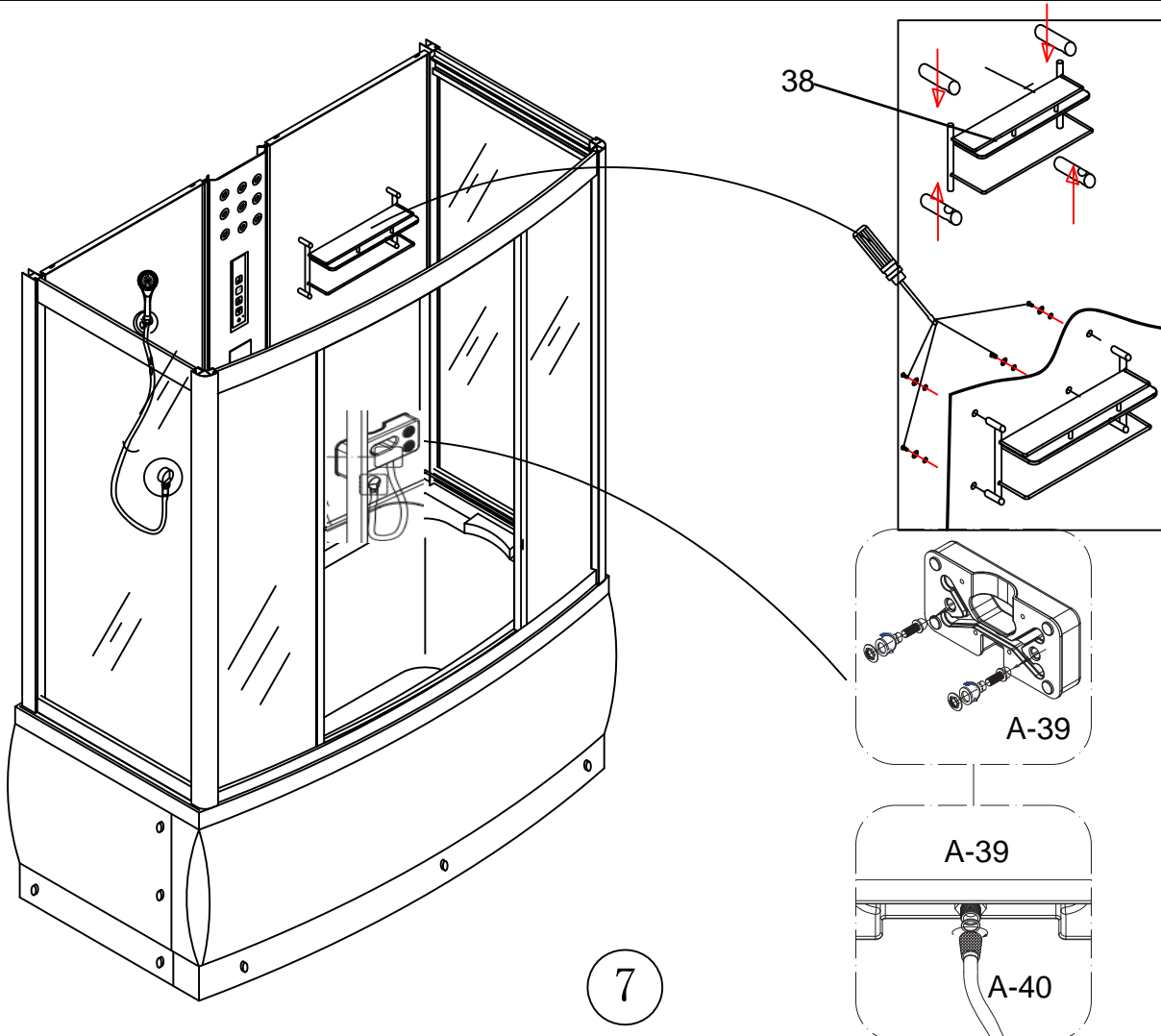
7:



9:

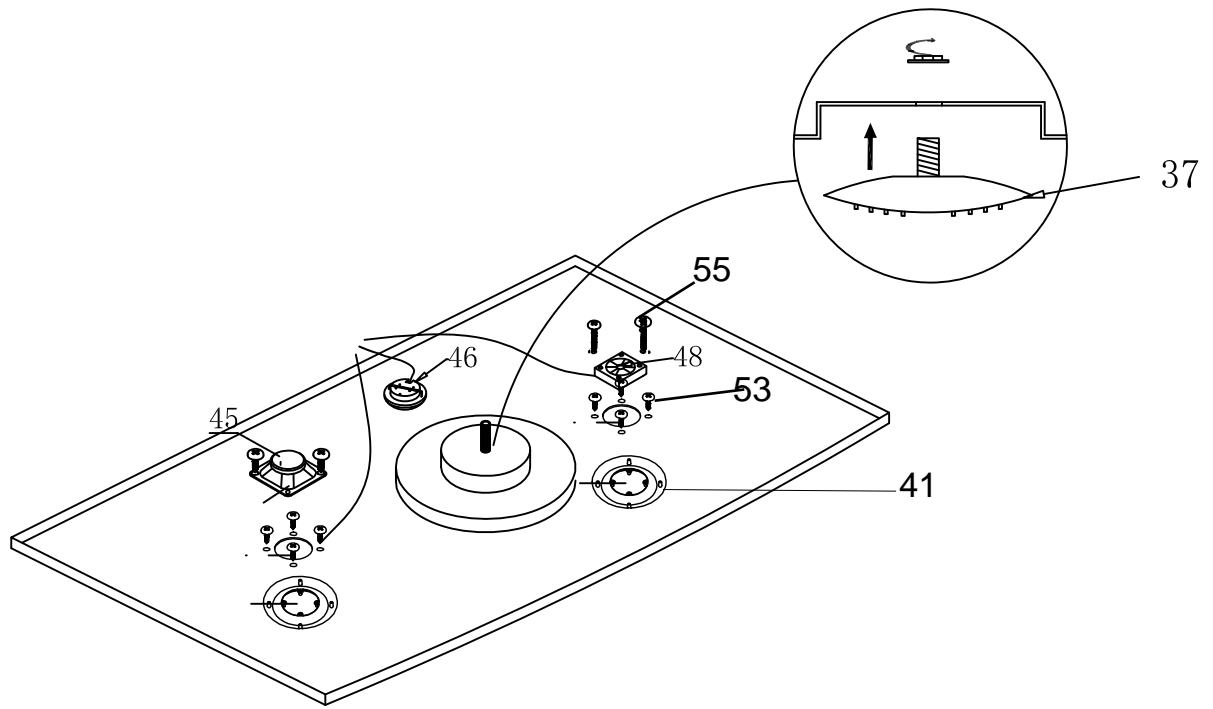


10:

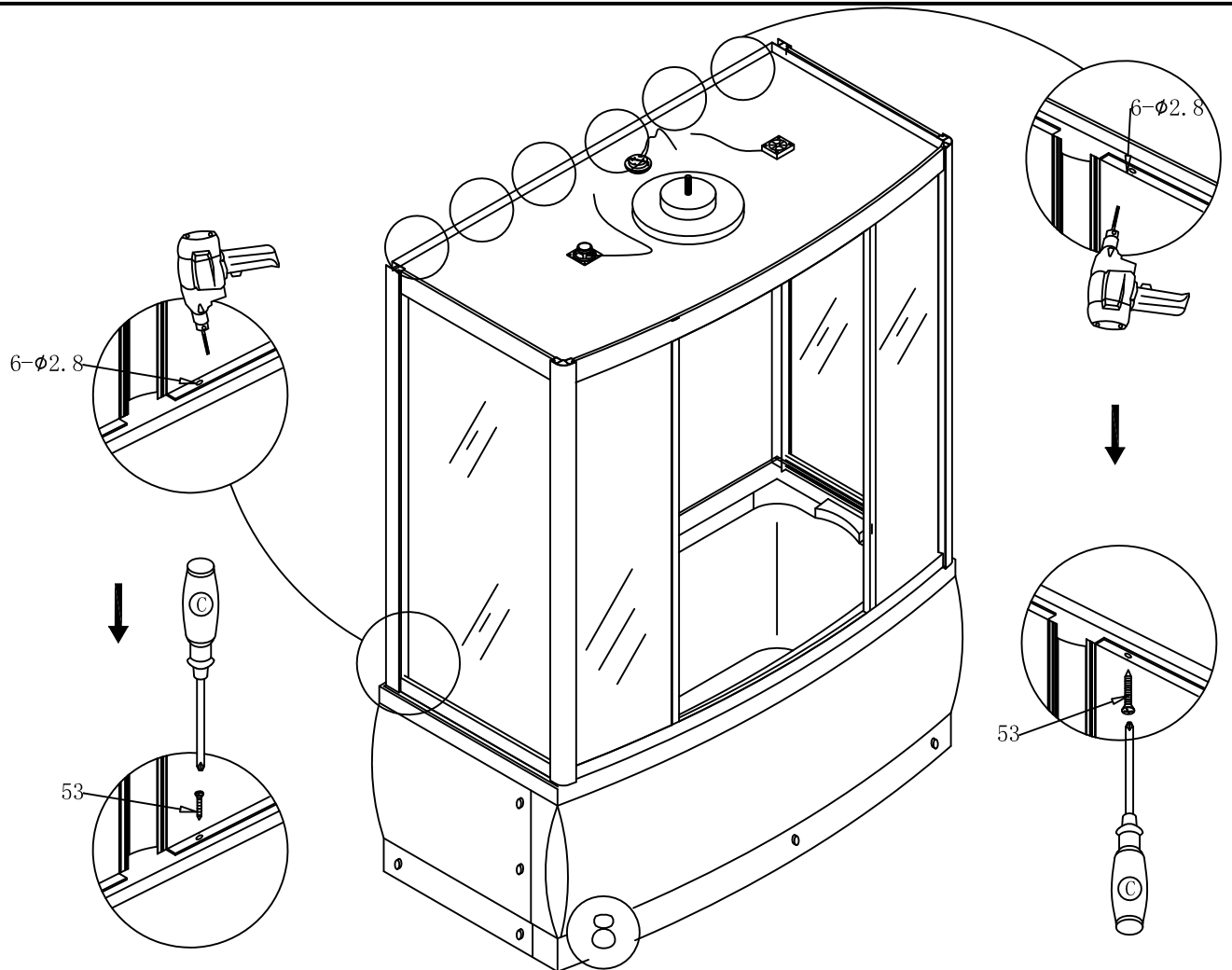




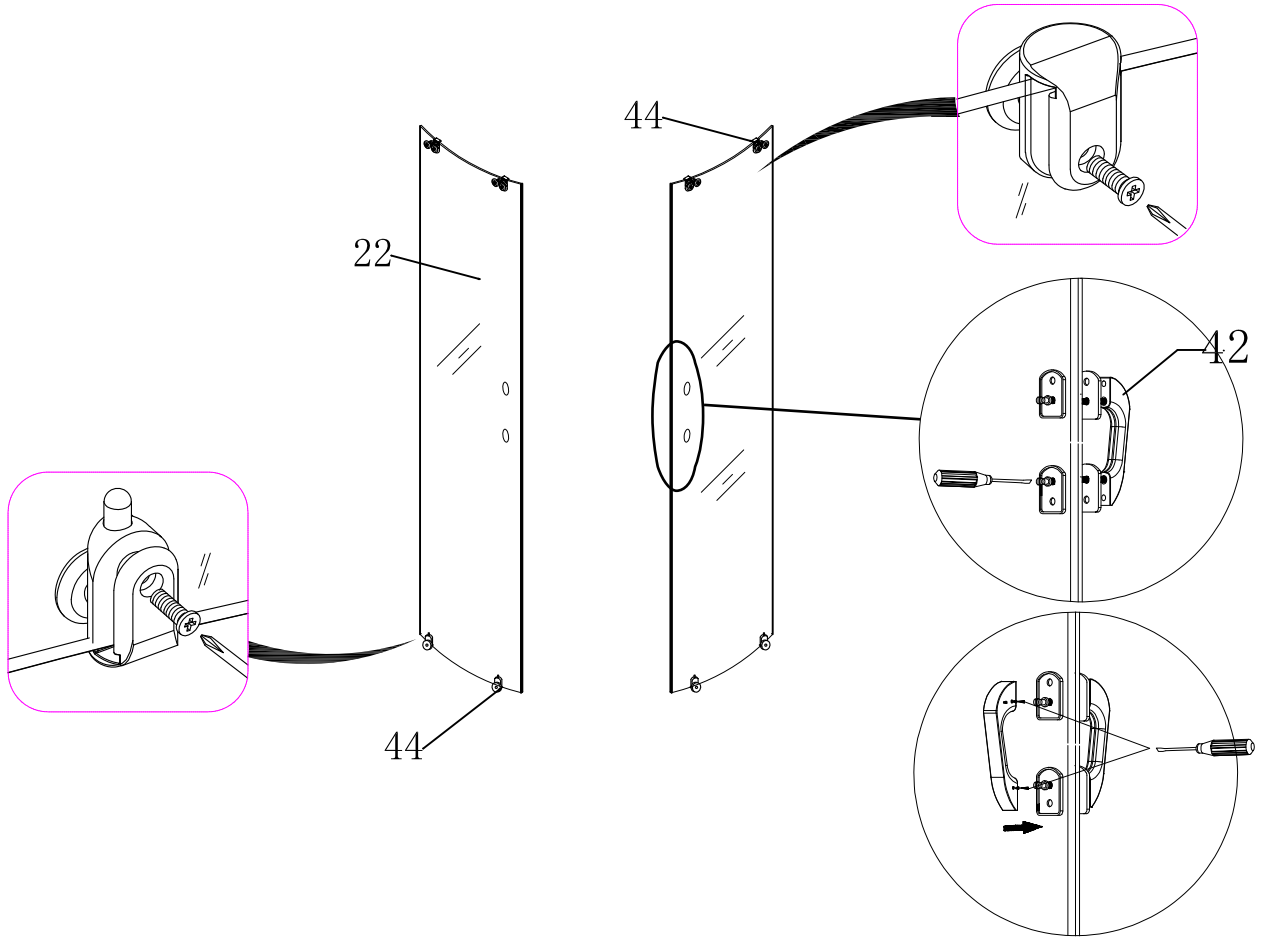
11:



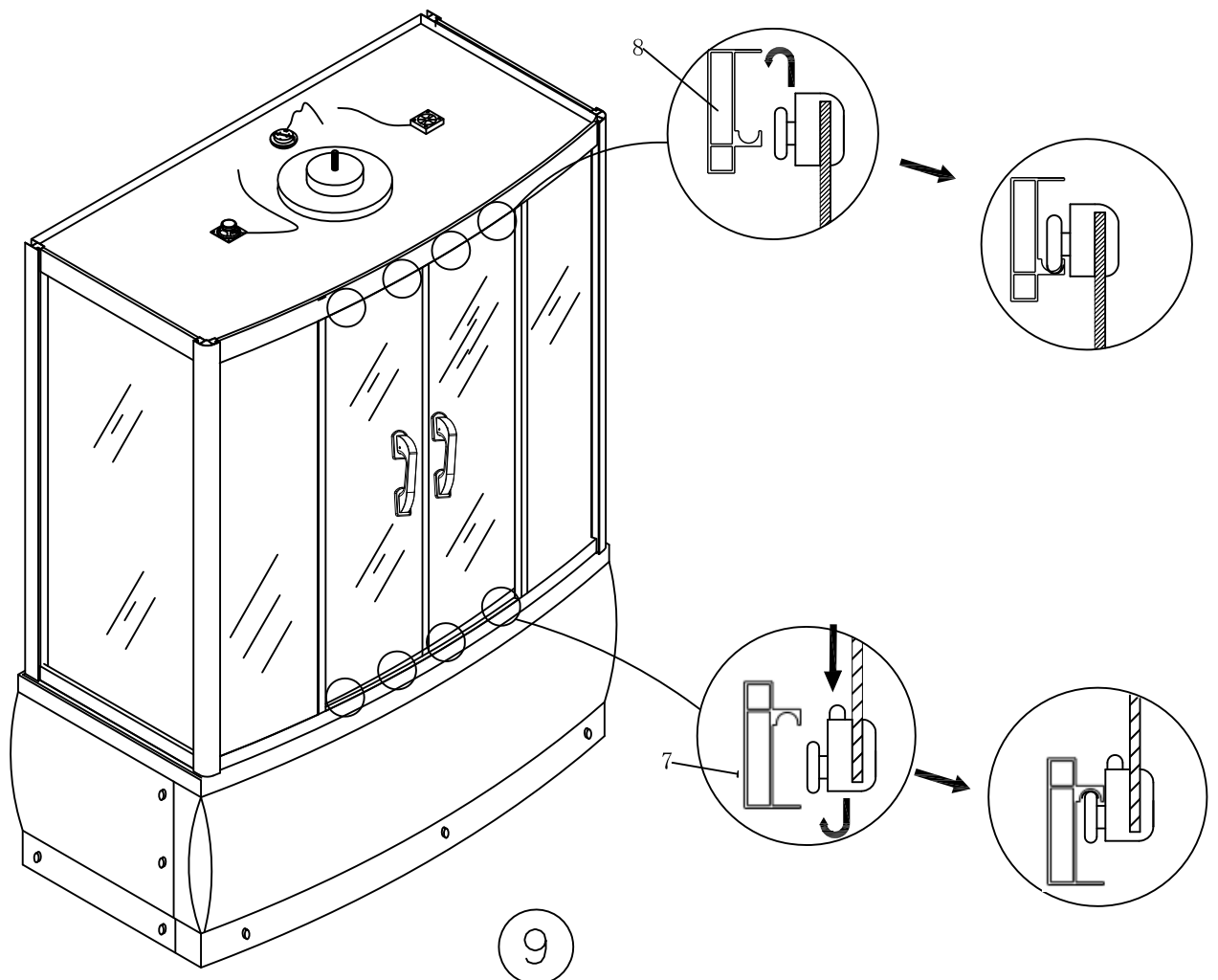
12:



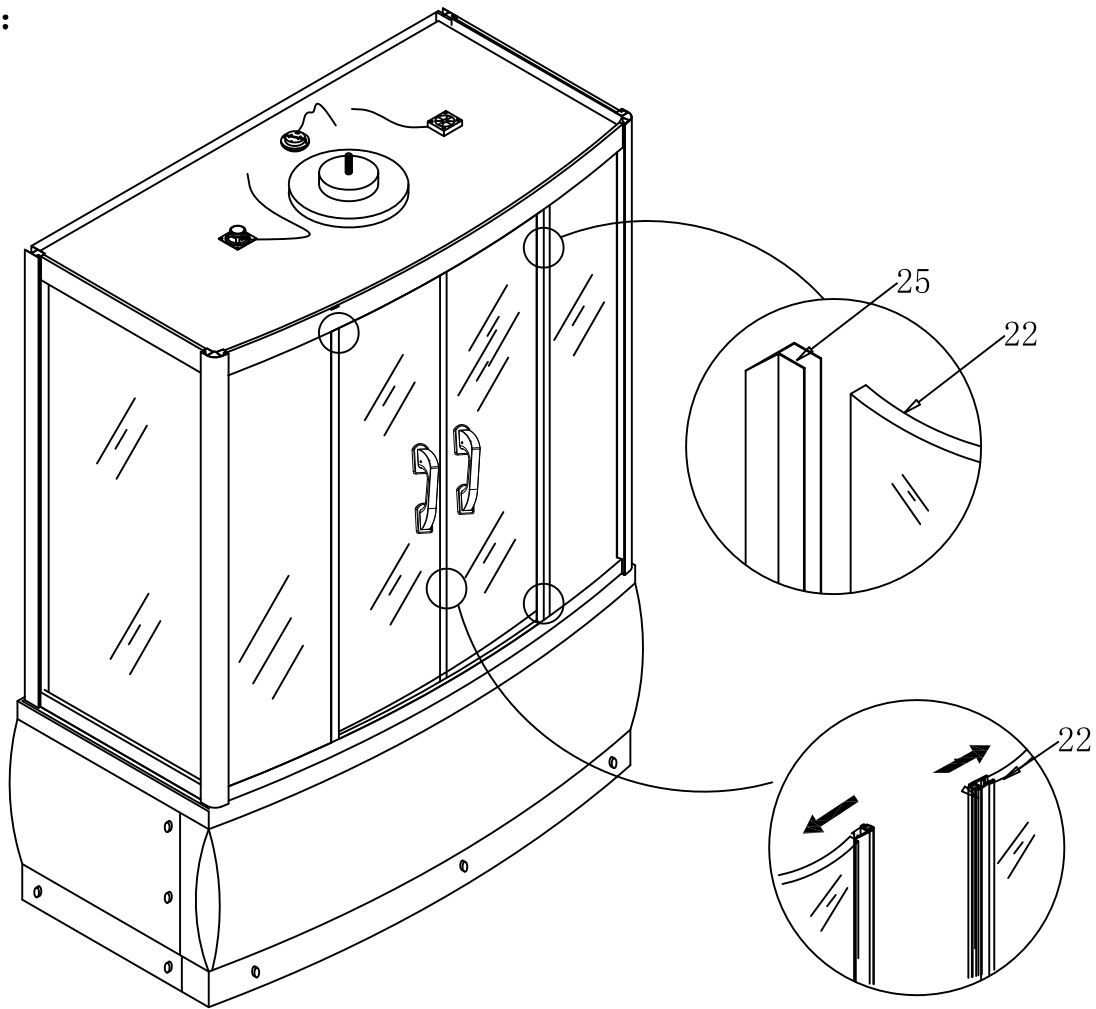
13:



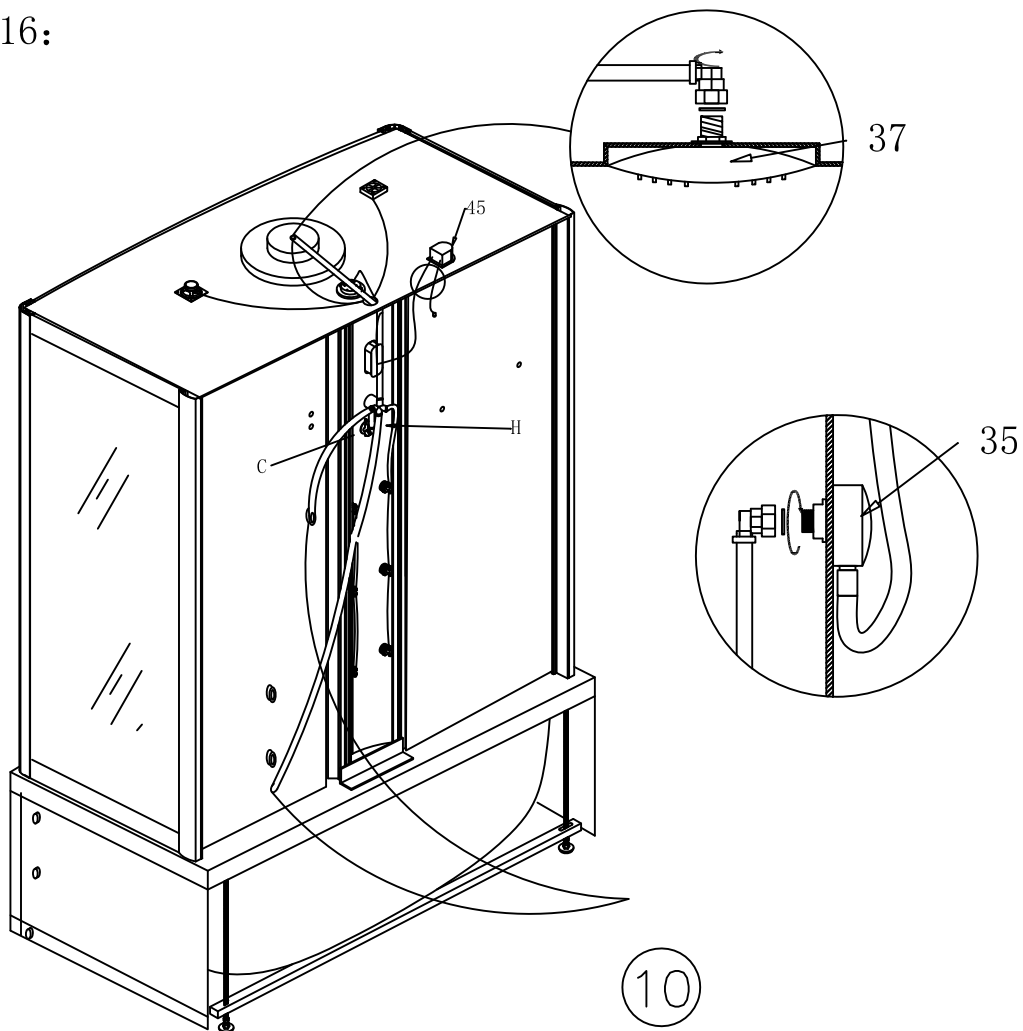
14:



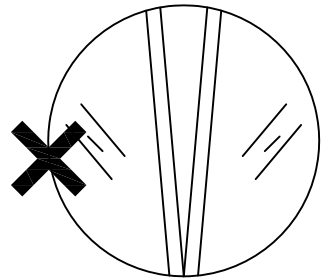
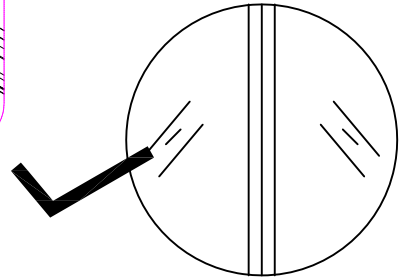
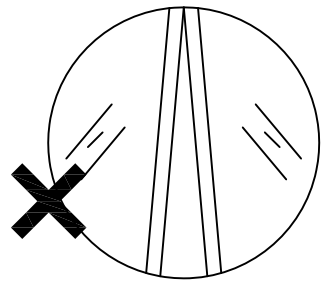
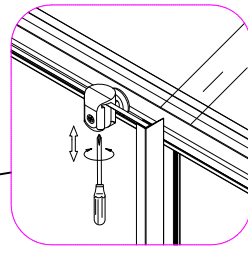
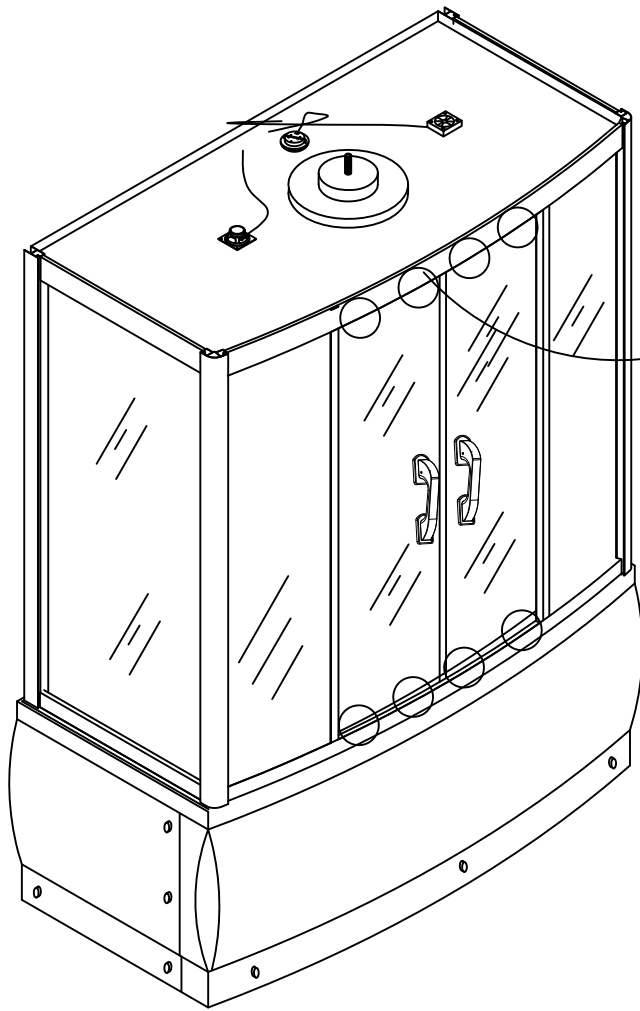
15:



16:



17:



18:

